

# PALOMA

TODDLER BED KIT

INSTRUCTION MANUAL

# Contents

|  |           |
|--|-----------|
| <b>General instructions</b>            | <b>3</b>  |
| <b>Warranty information</b>            | <b>4</b>  |
| <b>Warnings and safety precautions</b> | <b>6</b>  |
| <b>Components and parts</b>            | <b>8</b>  |
| <b>Assembly instructions</b>           | <b>9</b>  |
| <b>Care and cleaning</b>               | <b>12</b> |



## **WARNING:**

**DO NOT DRAG YOUR PALOMA FURNITURE ALONG THE GROUND, AS THIS MAY RESULT IN THE LEGS BREAKING. TO MOVE, USE TWO PEOPLE TO LIFT AND REPOSITION.**



## General Instructions

Thank you for choosing Redsbaby for your family.

This document contains important information and must be kept for future reference.

Please read thoroughly before commencing assembly of your Redsbaby PALOMA Toddler Bed. It is critical that you follow these assembly instructions in detail. Incorrect assembly and use can be dangerous and result in serious injury or even death.

If there are any missing parts or you have any questions regarding assembly, please contact us via [info@redsbaby.com.au](mailto:info@redsbaby.com.au).

There may be slight variations in the design of your product to that shown in the images of this instruction manual.

**The Redsbaby PALOMA Cot is designed to comply with  
AS/NZS: 2172:2013 and CPN No. 6:2005**

**Redsbaby Pty Ltd**  
[info@redsbaby.com.au](mailto:info@redsbaby.com.au)  
[www.redsbaby.com.au](http://www.redsbaby.com.au)

**This product was proudly designed in Sydney, Australia.  
Redsbaby is Australian owned and operated.**

---

# Warranty information

## 12 Month Warranty

The Redsbaby PALOMA Dresser comes with a 12 Month Warranty to cover against faults in materials and workmanship when your products are used under normal conditions, according to our user manuals and technical specifications.

**Our goods come with guarantees that cannot be excluded under the Australian Consumer Law. You are entitled to a replacement or refund for a major failure and compensation for any other reasonably foreseeable loss or damage. You are also entitled to have the goods repaired or replaced if the goods fail to be of acceptable quality and the failure does not amount to a major failure.**

The 12 Month Warranty period starts from the date your product(s) are dispatched from our warehouse. This includes products that are purchased via pre-sale (for example items that are out of stock or newly launching products). Please remember that for a claim to be valid, it must be made within the claims period.

There are a few circumstances under which the warranty is not valid including:

- defects resulting from improper care or use;
- normal wear and tear, including scratches to the cot frame;
- products that are purchased second hand or from an unauthorised distributor;
- faulty or incorrect assembly; and
- using a part or accessory that is not compatible with the product and/or not manufactured by Redsbaby.

Please ensure you follow the assembly instructions, which can be found in this instruction manual.



## How To Make A Warranty Claim

Send an email to [info@redsbaby.com.au](mailto:info@redsbaby.com.au) to notify us of your warranty claim. To validate your warranty claim we will require you to include in your email:

- a description of the warranty defect including photographs;
- your contact details;
- attached invoice with order number; and
- product batch number (the batch number is printed on a sticker that is located on the toddler bed end board).

We will respond to your warranty claim within 7 business days and depending on the nature of the warranty claim, provide a replacement of the damaged part or arrange collection of the product from your nominated address. Collection will take place on a business day (i.e. not a public holiday or weekend within your state or territory) between 7am and 5.30pm. Please take care to repack the product in secure and stable packaging to avoid any damage occurring in the returns transit. We do not take responsibility for any damage that occurs in transit. Once we have received your product we will inspect and confirm the reported defect. We will then contact you with further information surrounding the repair such as the estimated turn around time.

If you have any questions, you can contact us at [info@redsbaby.com.au](mailto:info@redsbaby.com.au).

## Warnings and safety precautions

Please read the following warnings and safety precautions thoroughly before using your Redsbaby PALOMA Cot. Incorrect assembly and use can result in serious injury or death.



### **RECOMMENDED MATTRESS SIZE**

This cot has been manufactured for use with a mattress which measures 690 mm wide by 1300 mm long and 130 mm in thickness. The width and length are specified because it is important that the gaps between the mattress and the sides and ends of the cot will not exceed 40 mm when the mattress is pushed to one side or end, and 20 mm when the mattress is centered in the cot. The thickness of the mattress has been specified to ensure that the depth of the cot is greater than 500 mm with the mattress base in the lower position to minimize the risk of a child climbing or falling out of the cot.



### **WARNING**

- **TO PREVENT FALLS, THE MATTRESS BASE OF THIS COT SHOULD BE ADJUSTED TO THE LOWEST POSITION BEFORE THE CHILD CAN SIT UP.**
- **TO ENSURE THE SAFETY OF YOUR COT, REGULARLY CHECK ALL THE CONNECTING BOLTS, PINS AND NUTS ENSURING THEY ARE TIGHT. CARE SHOULD BE TAKEN THAT NO SCREWS ARE LOOSE BECAUSE A CHILD COULD TRAP PARTS OF THE BODY OR CLOTHING WHICH WOULD POSE A RISK OF STRANGULATION.**
- **TO PREVENT FALLS OR SUFFOCATION THE MAXIMUM MATTRESS THICKNESS SHOULD NOT EXCEED 130MM.**



## **GENERAL WARNINGS**

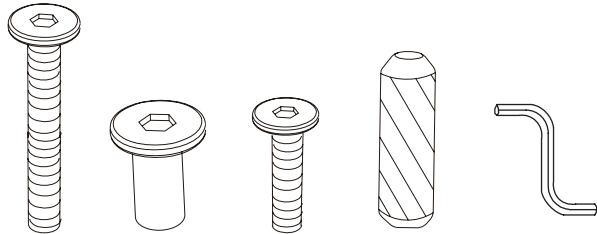
- Follow the manufacturer's assembly instructions in detail to ensure the safety features of the cot and toddler bed are not compromised.
- Ensure the cot and toddler bed is placed at a reasonable distance from curtains, blinds, heaters and power points.
- Keep medication, string, elastic, small toys or small items, such as money, out of reach from any position in the cot and toddler bed.
- Keep cot and toddler bed free of any toys, cushions etc that could be used as a foothold or present a danger of suffocation or strangulation.
- After unpacking, immediately discard any plastic wrapping and packaging materials, as these can lead to a choking hazard.
- Do not use the cot or toddler bed if any part is broken, torn or missing and use only spare parts approved by the manufacturer.
- Do not use if parts are missing and do not substitute parts, contact Redsbaby for replacement parts.
- Do not use more than one mattress in the cot or toddler bed.
- When the child is able to climb out or reaches the height of 90cm, the cot should no longer be used, and should be converted to the toddler bed using the Redsbaby PALOMA Toddler Bed Kit.



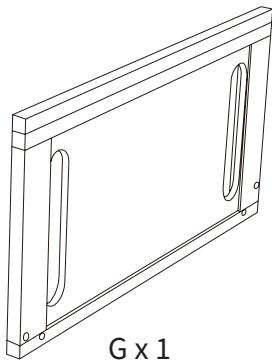
### **WARNING:**

**DO NOT DRAG YOUR PALOMA FURNITURE ALONG THE GROUND, AS THIS MAY RESULT IN THE LEGS BREAKING. TO MOVE, USE TWO PEOPLE TO LIFT AND REPOSITION.**

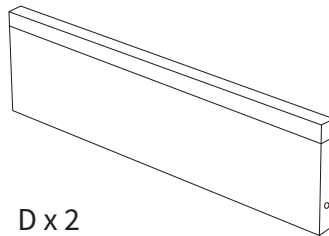
## Components and parts



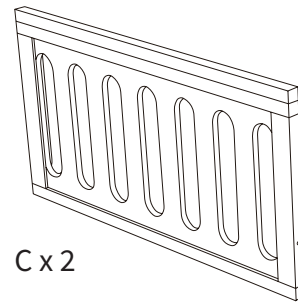
S3 x 20   S4 x 4   S5 x 4   P x 4   H x 1



G x 1

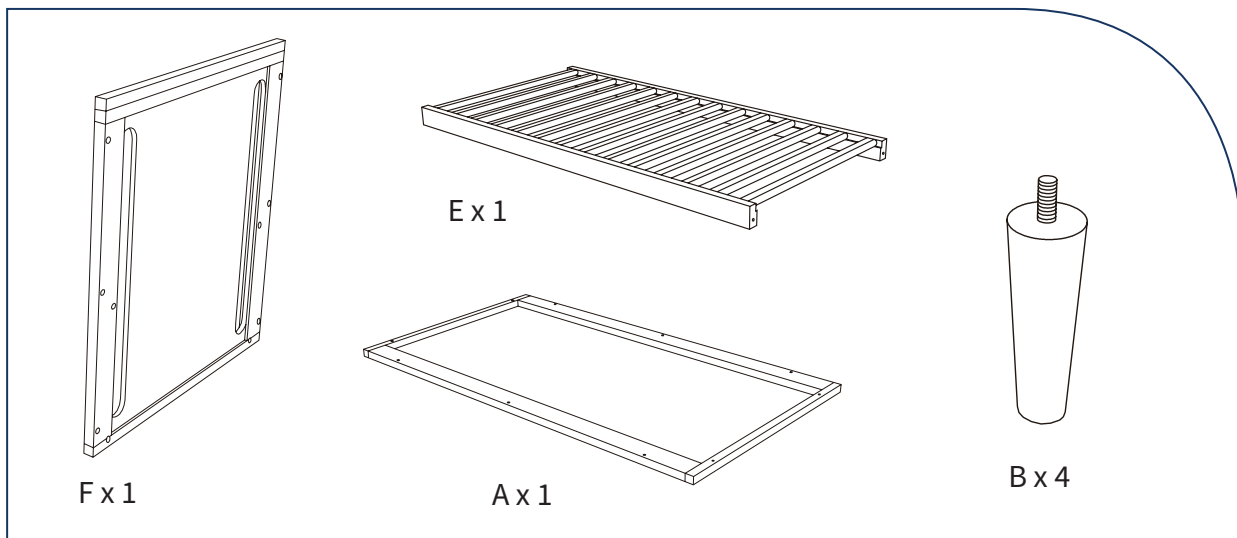


D x 2



C x 2

### REPURPOSED PARTS FROM YOUR COT



F x 1

E x 1

A x 1

B x 4



### WARNING:

THIS PACKAGE CONTAINS SMALL PARTS. KEEP AWAY FROM CHILDREN UNTIL ASSEMBLED. ONLY COMPATIBLE WITH REDSBABY PALOMA COT.

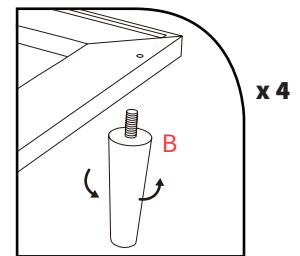
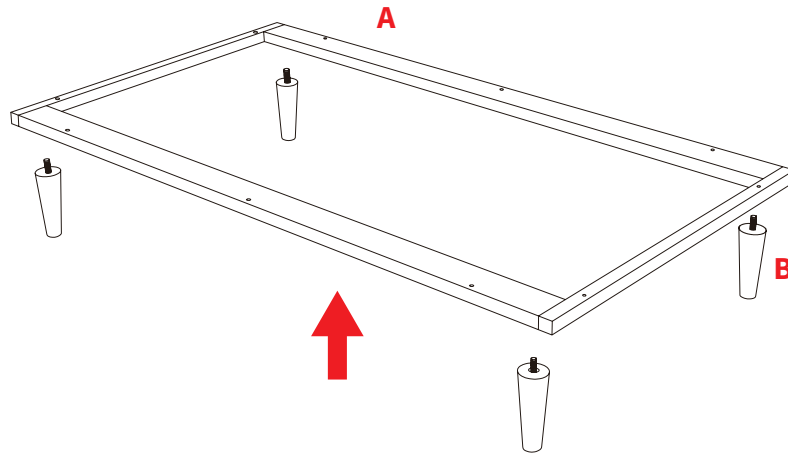




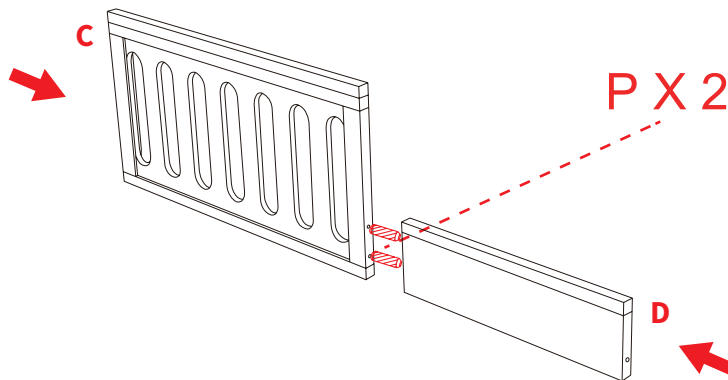
# Assembly instructions

WE RECOMMEND TWO (2) ADULTS ASSEMBLE THE PALOMA DRESSER.

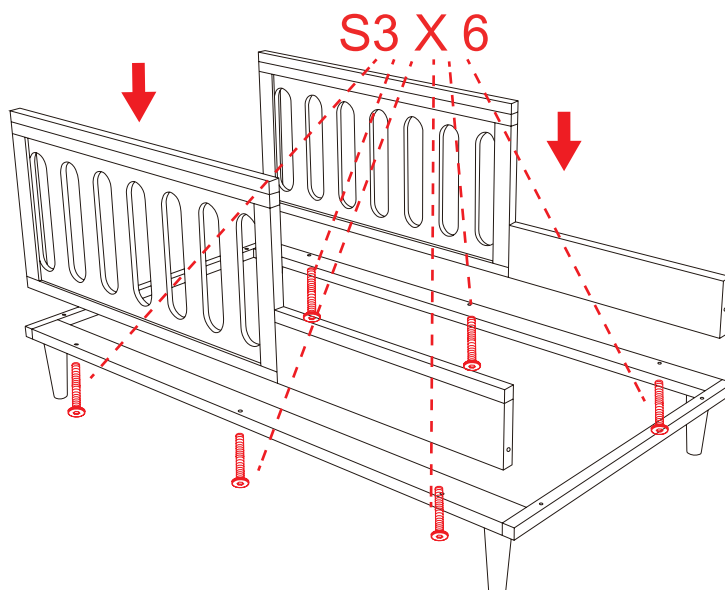
Step 1



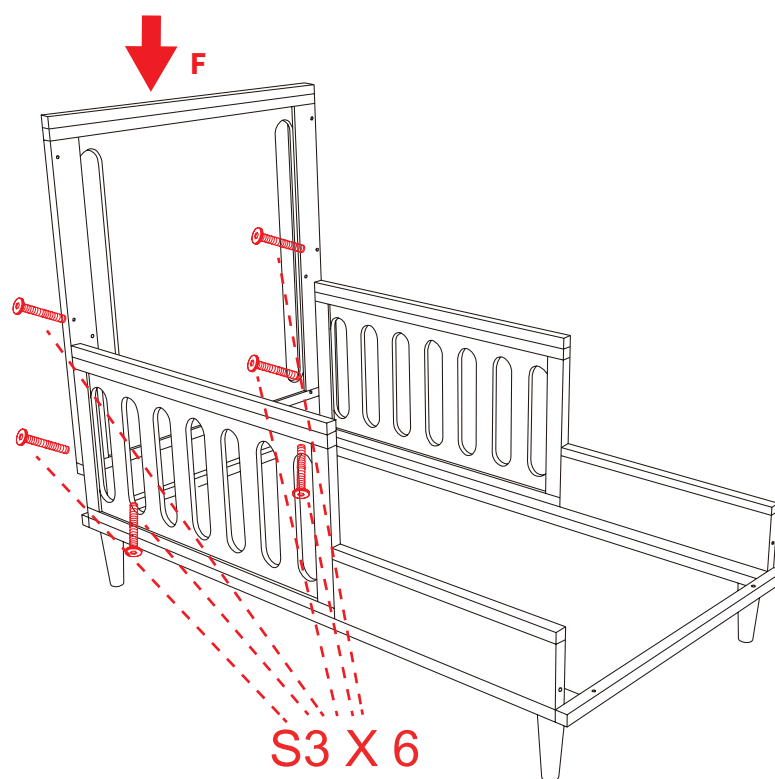
Step 2



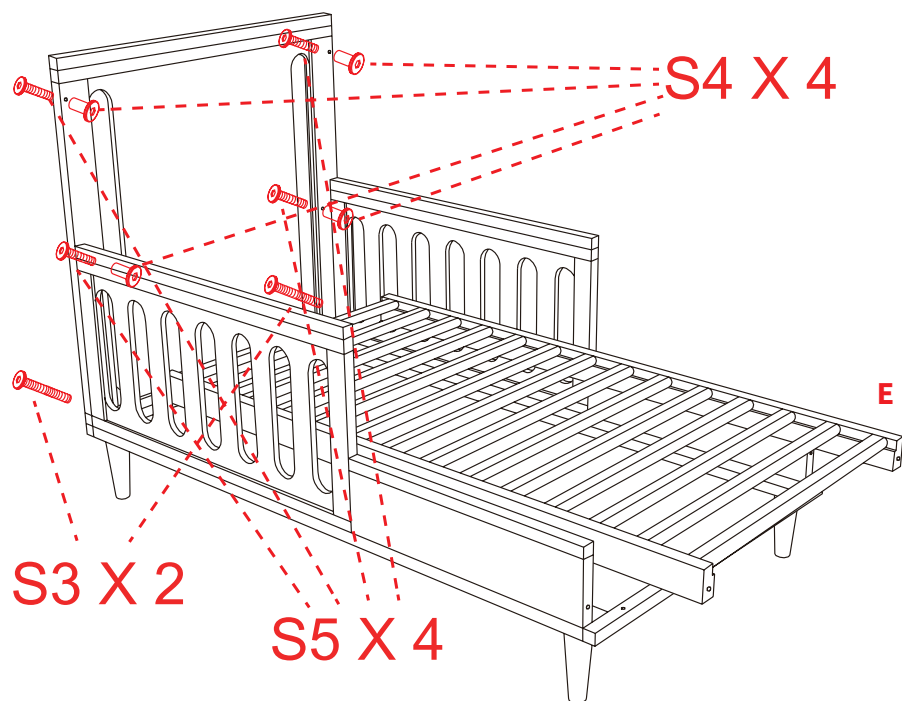
Step 3



**Step 4**

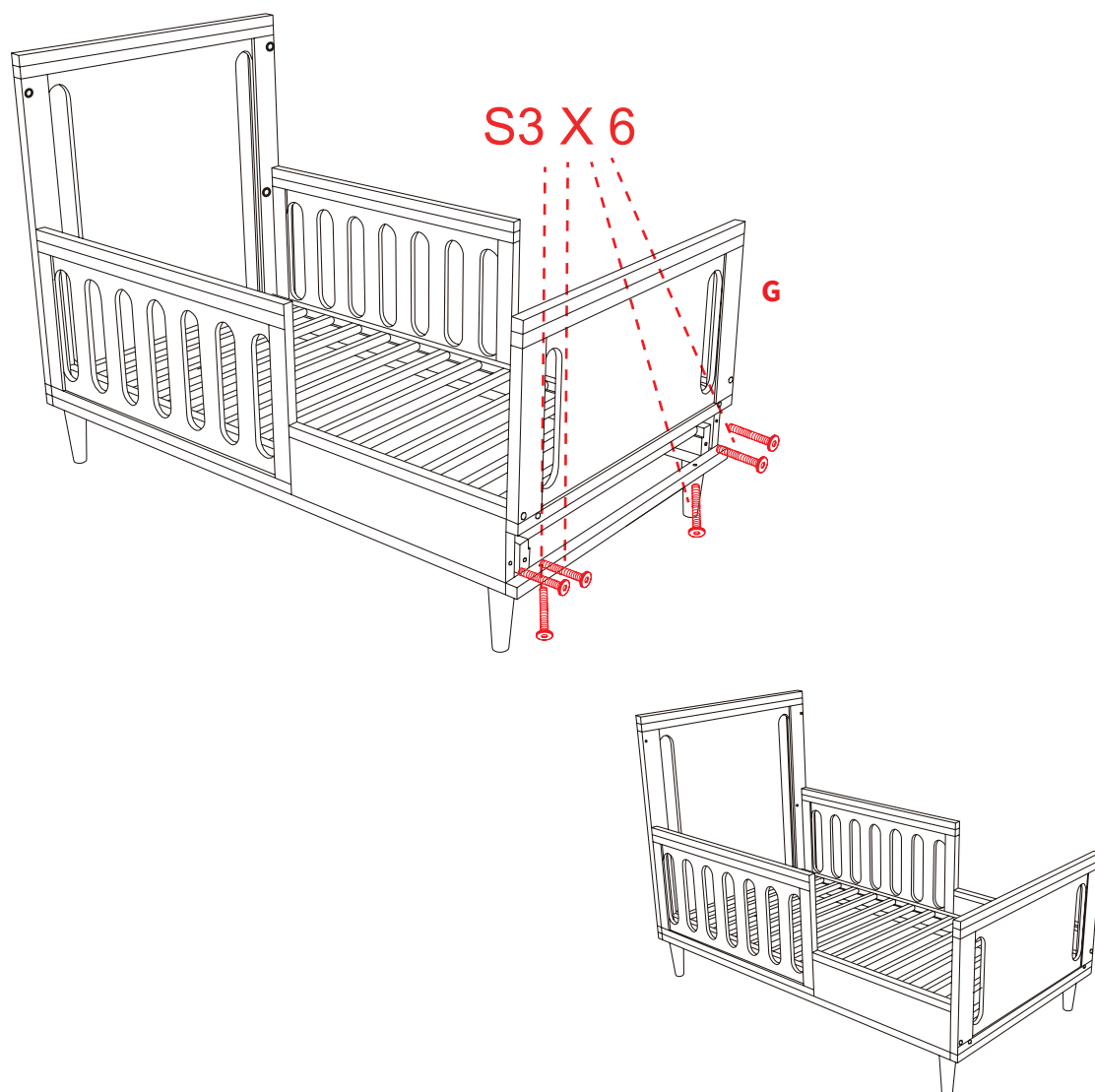


**Step 5**





Step 6



**WARNING:**

THIS PACKAGE CONTAINS SMALL PARTS. KEEP AWAY FROM CHILDREN UNTIL ASSEMBLED. STORE ALL PACKAGING AND EXCESS PARTS AWAY FROM A CHILD'S REACH AS SOON AS THE PRODUCT IS ASSEMBLED.



**WARNING:**

DO NOT DRAG YOUR PALOMA FURNITURE ALONG THE GROUND, AS THIS MAY RESULT IN THE LEGS BREAKING. TO MOVE, USE TWO PEOPLE TO LIFT AND REPOSITION.

## Care and cleaning

Do not scratch or chip the finish. Do not use abrasive chemicals for cleaning. Clean with mild soap on a soft cloth. Rinse and dry thoroughly.

Check metal hardware before assembly and periodically during use for any signs of damage or wear and tear. Contact Redsbaby for replacement parts, do not substitute parts.



### **WARNING:**

**DO NOT DRAG YOUR PALOMA FURNITURE ALONG THE GROUND, AS THIS MAY RESULT IN THE LEGS BREAKING. TO MOVE, USE TWO PEOPLE TO LIFT AND REPOSITION.**





*with you for the journey*

**redsbaby**<sup>®</sup>

'REDSBABY' is a registered Trademark of Redsbaby Pty Ltd.  
ABN 31 167 364 178.

©Copyright 2017 Redsbaby