



PALOMA DRESSER

INSTRUCTION MANUAL

Contents

General instructions	3
Warranty information	4
Components and parts	6
Assembly instructions	7
Care and cleaning	17



WARNING:

DO NOT DRAG YOUR PALOMA FURNITURE ALONG THE GROUND, AS THIS MAY RESULT IN THE LEGS BREAKING. TO MOVE, USE TWO PEOPLE TO LIFT AND REPOSITION.



General Instructions

Thank you for choosing Redsbaby for your family.

This document contains important information and must be kept for future reference.

Please read thoroughly before commencing assembly of your Redsbaby PALOMA Dresser. It is critical that you follow these assembly instructions in detail. Incorrect assembly and use can be dangerous and result in serious injury or even death.

If there are any missing parts or you have any questions regarding assembly, please contact us via info@redsbaby.com.au.

There may be slight variations in the design of your product to that shown in the images of this instruction manual.

Redsbaby Pty Ltd
info@redsbaby.com.au
www.redsbaby.com.au

**This product was proudly designed in Sydney, Australia.
Redsbaby is Australian owned and operated.**

Warranty information

12 Month Warranty

The Redsbaby PALOMA Dresser comes with a 12 Month Warranty to cover against faults in materials and workmanship when your products are used under normal conditions, according to our user manuals and technical specifications.

Our goods come with guarantees that cannot be excluded under the Australian Consumer Law. You are entitled to a replacement or refund for a major failure and compensation for any other reasonably foreseeable loss or damage. You are also entitled to have the goods repaired or replaced if the goods fail to be of acceptable quality and the failure does not amount to a major failure.

The 12 Month Warranty period starts from the date your product(s) are dispatched from our warehouse. This includes products that are purchased via pre-sale (for example items that are out of stock or newly launching products). Please remember that for a claim to be valid, it must be made within the claims period.

There are a few circumstances under which the warranty is not valid including:

- defects resulting from improper care or use;
- normal wear and tear, including scratches to the cot frame;
- products that are purchased second hand or from an unauthorised distributor;
- faulty or incorrect assembly; and
- using a part or accessory that is not compatible with the product and/or not manufactured by Redsbaby.

Please ensure you follow the assembly instructions, which can be found in this instruction manual.



How To Make A Warranty Claim

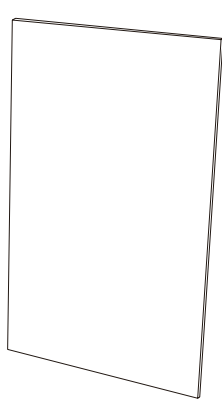
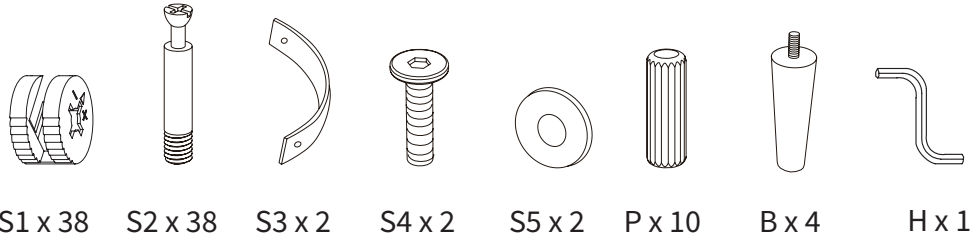
Send an email to info@redsbaby.com.au to notify us of your warranty claim. To validate your warranty claim we will require you to include in your email:

- a description of the warranty defect including photographs;
- your contact details;
- attached invoice with order number; and
- product batch number (the batch number is printed on a sticker that is located on the back panel of the dresser).

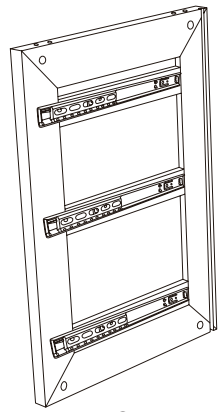
We will respond to your warranty claim within 7 business days and depending on the nature of the warranty claim, provide a replacement of the damaged part or arrange collection of the product from your nominated address. Collection will take place on a business day (i.e. not a public holiday or weekend within your state or territory) between 7am and 5.30pm. Please take care to repack the product in secure and stable packaging to avoid any damage occurring in the returns transit. We do not take responsibility for any damage that occurs in transit. Once we have received your product we will inspect and confirm the reported defect. We will then contact you with further information surrounding the repair such as the estimated turn around time.

If you have any questions, you can contact us at info@redsbaby.com.au.

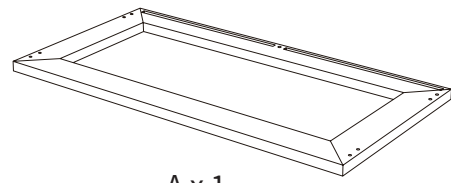
Components and parts



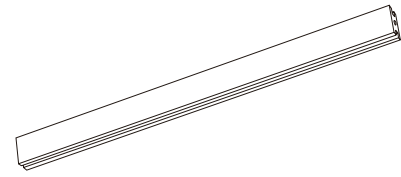
E x 2



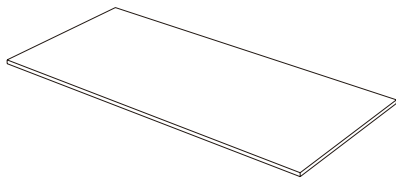
C x 2



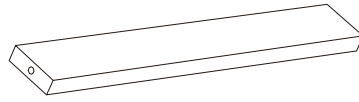
A x 1



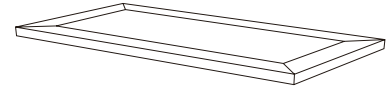
D x 1



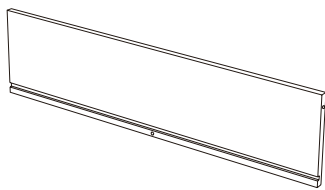
K x 3



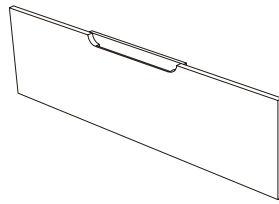
J x 3



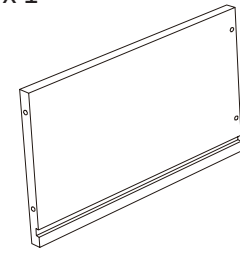
F x 1



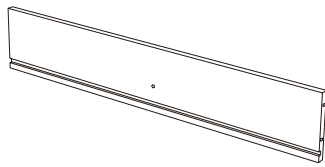
I x 1



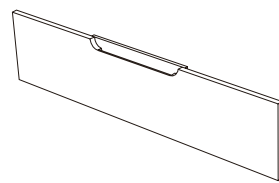
L x 1



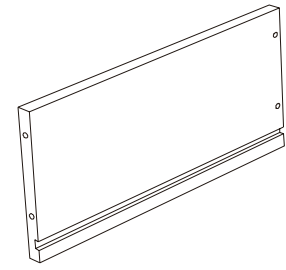
G x 2



N x 2



O x 2



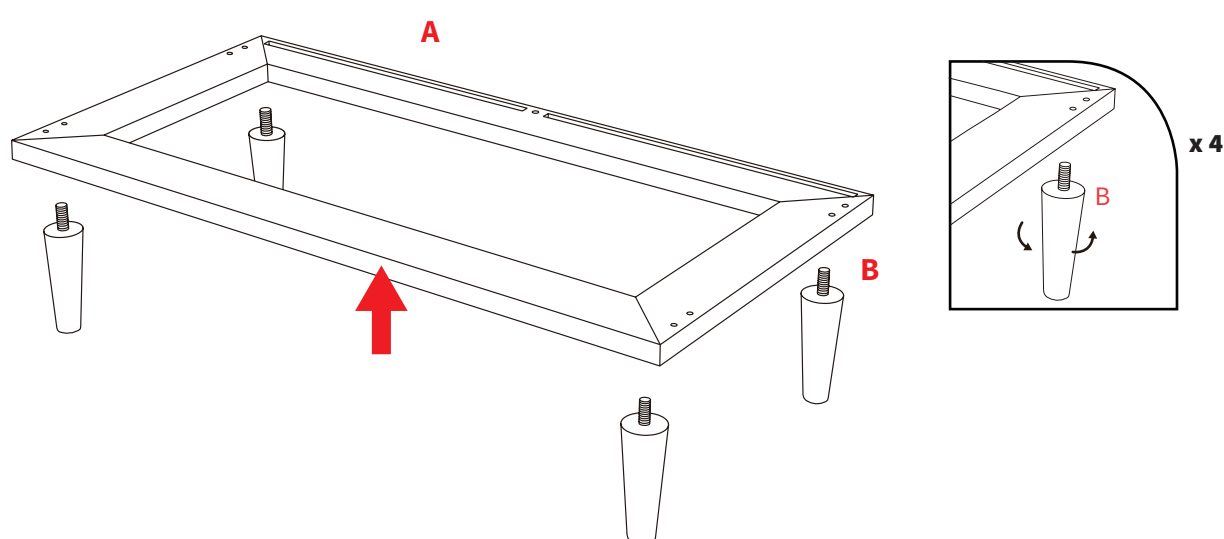
M x 4



Assembly instructions

WE RECOMMEND TWO (2) ADULTS ASSEMBLE THE PALOMA DRESSER.

Step 1



WARNING:

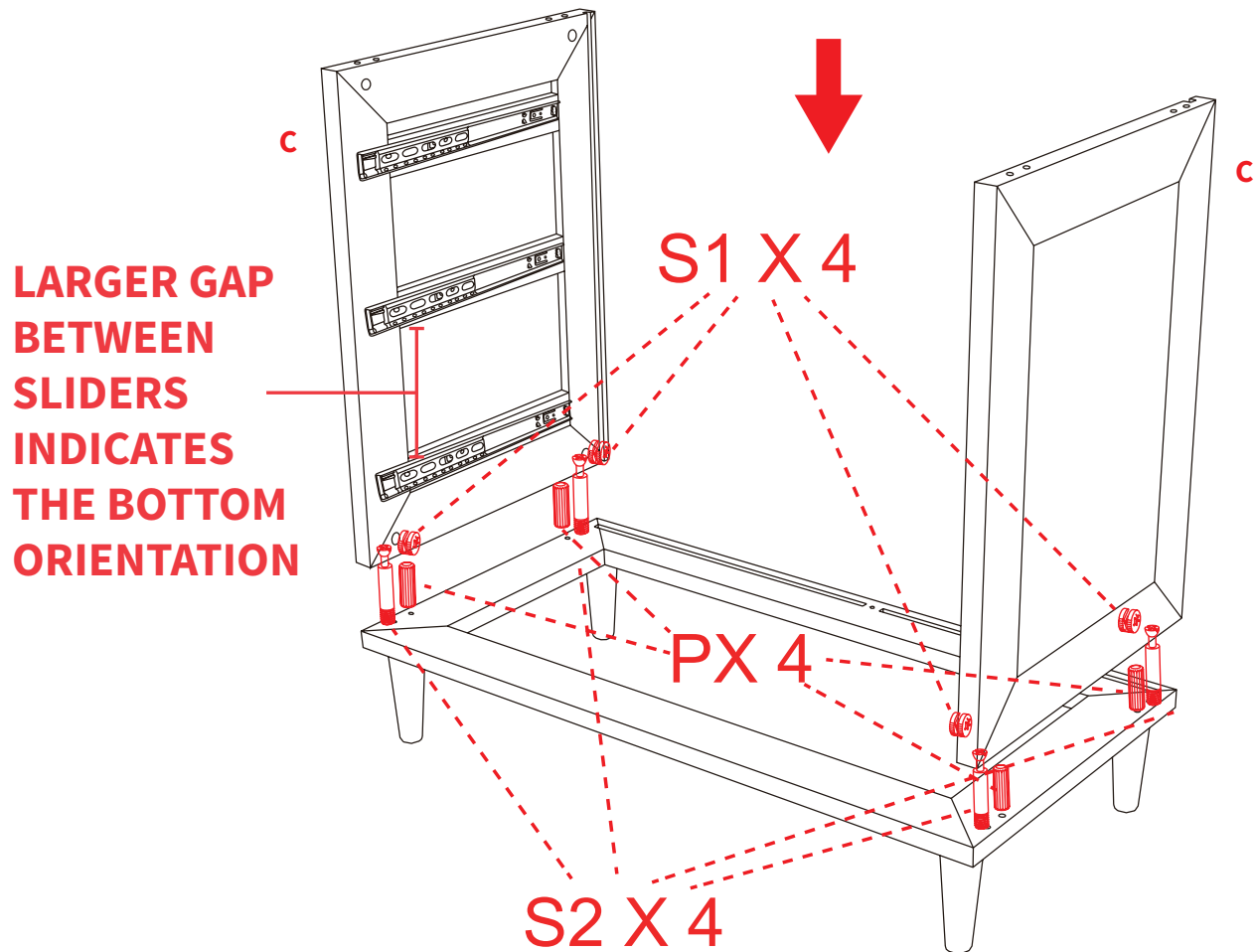
THIS PACKAGE CONTAINS SMALL PARTS. KEEP AWAY FROM CHILDREN UNTIL ASSEMBLED. STORE ALL PACKAGING AND EXCESS PARTS AWAY FROM A CHILD'S REACH AS SOON AS THE PRODUCT IS ASSEMBLED.



WARNING:

DO NOT DRAG YOUR PALOMA FURNITURE ALONG THE GROUND, AS THIS MAY RESULT IN THE LEGS BREAKING. TO MOVE, USE TWO PEOPLE TO LIFT AND REPOSITION.

Step 2

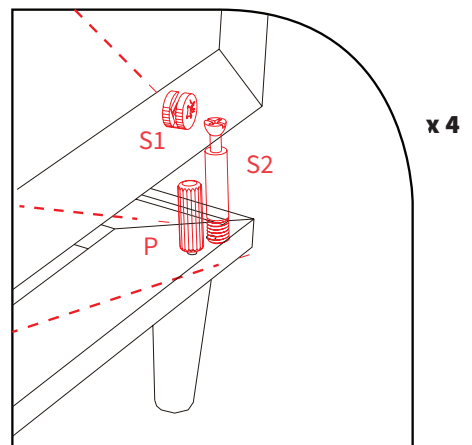


LARGER GAP
BETWEEN
SLIDERS
INDICATES
THE BOTTOM
ORIENTATION

S1 X 4

PX 4

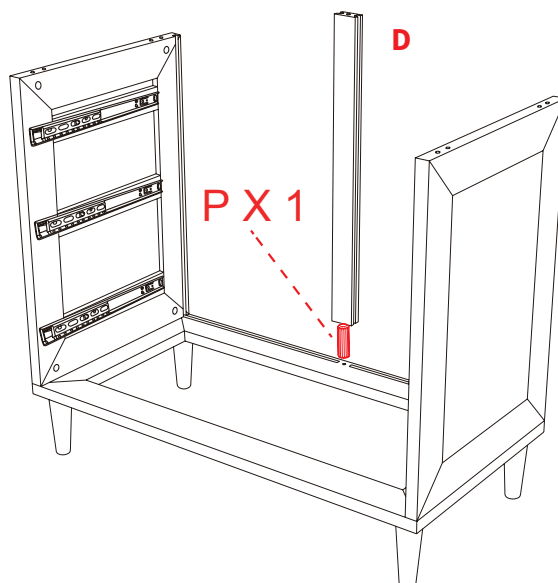
S2 X 4



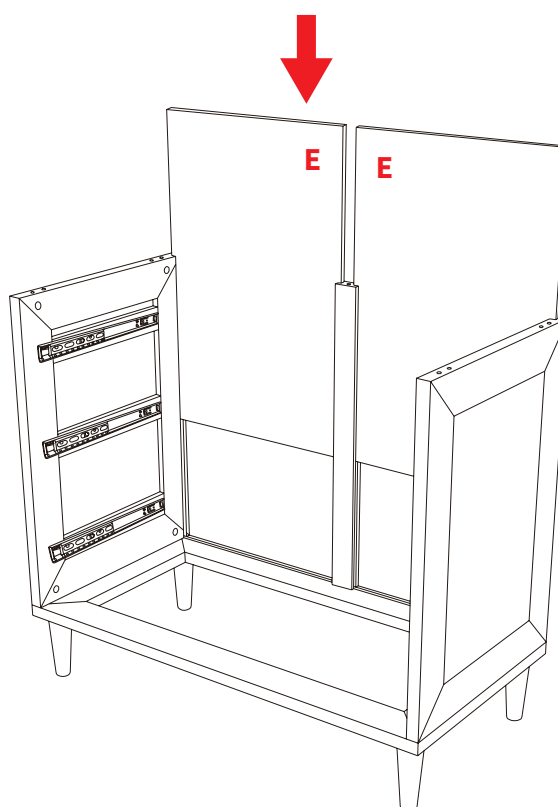
x 4



Step 3



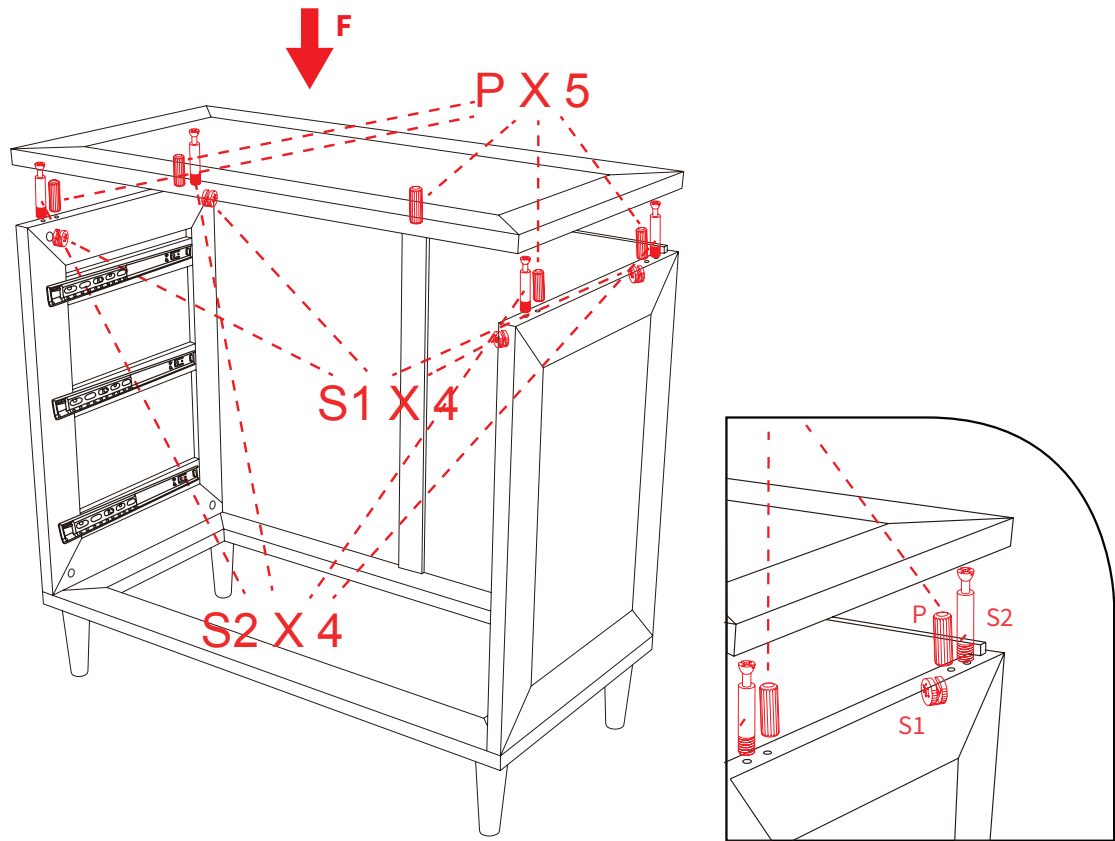
Step 4



WARNING:

DO NOT DRAG YOUR PALOMA FURNITURE ALONG THE GROUND, AS THIS MAY RESULT IN THE LEGS BREAKING. TO MOVE, USE TWO PEOPLE TO LIFT AND REPOSITION.

Step 5

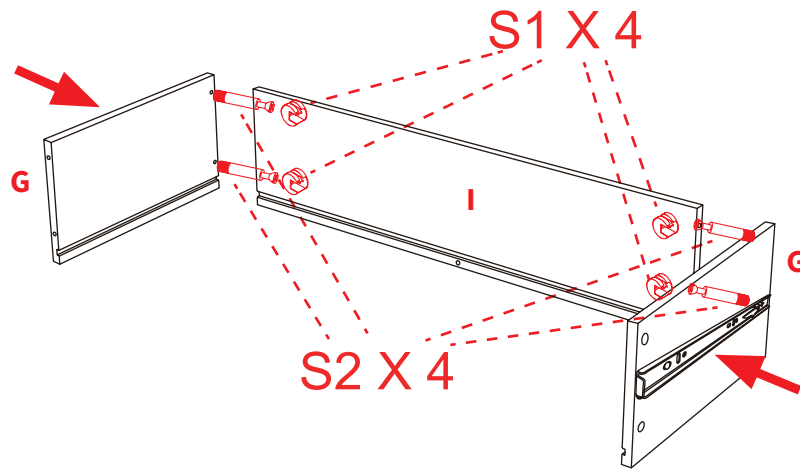


Step 6

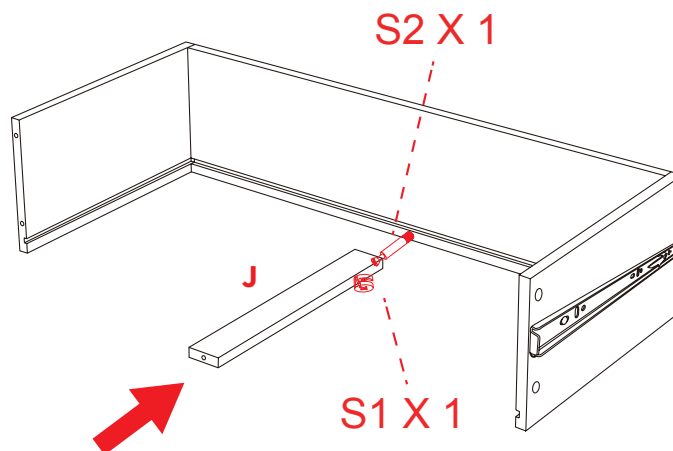


Stage 6 - Bottom drawer construction (largest drawer)

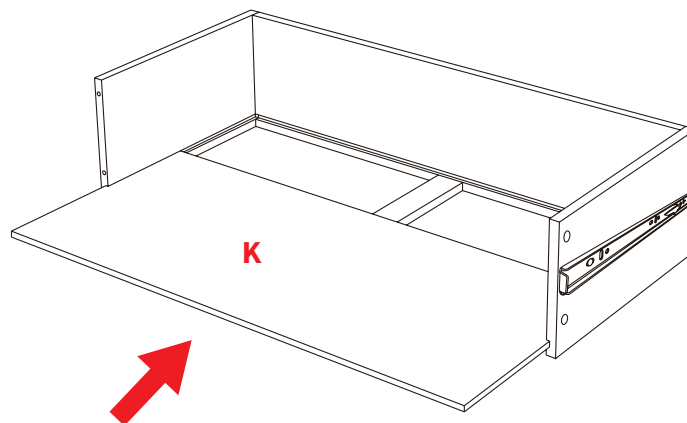
Step 6



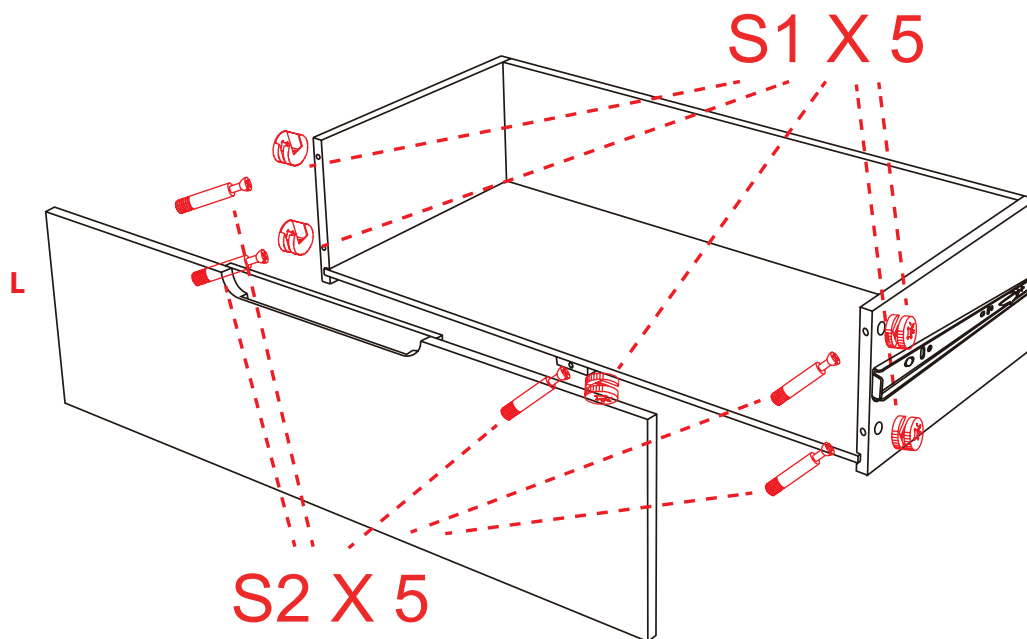
Step 7



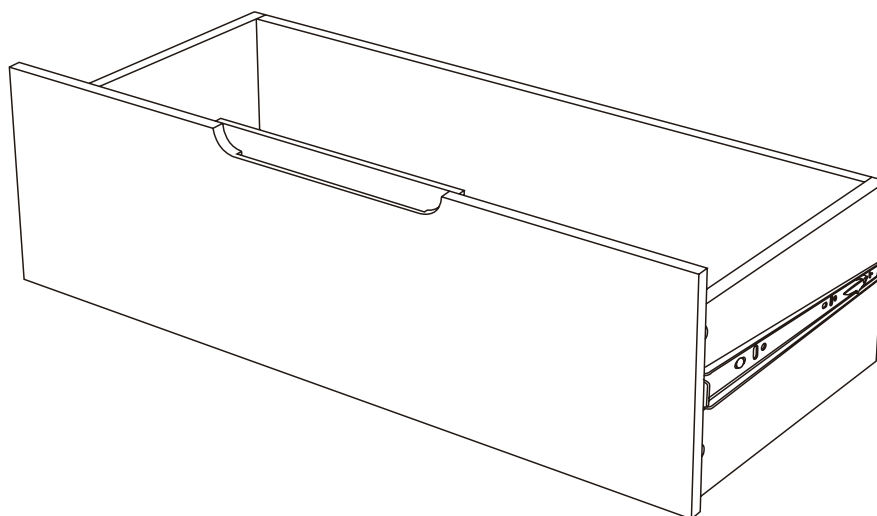
Step 8



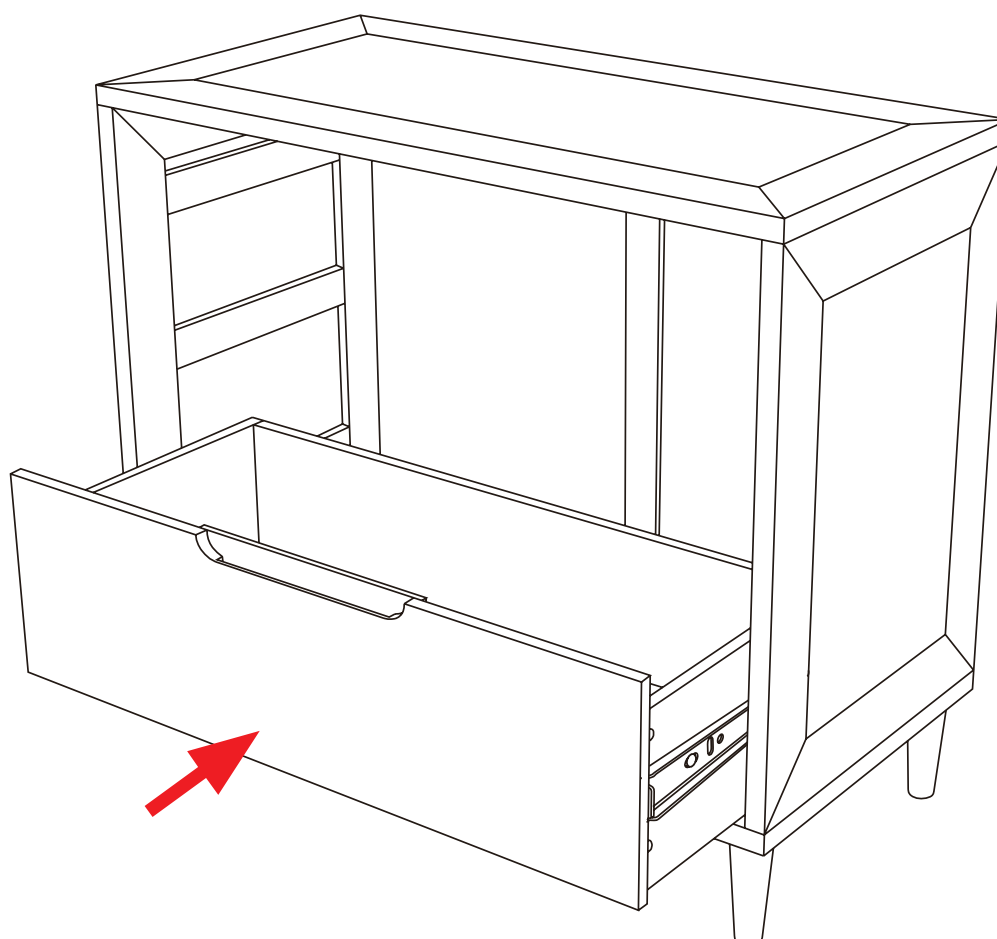
Step 9



Step 10



Step 11



IMPORTANT!

LARGEST DRAWER POSITIONED AT THE BOTTOM

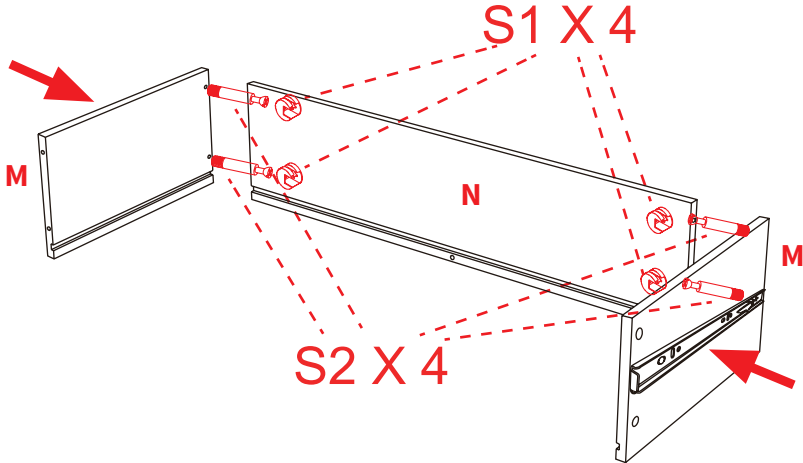


WARNING:

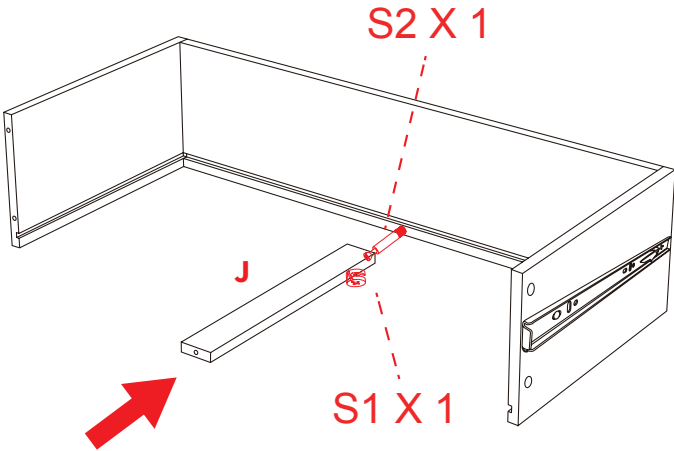
DO NOT DRAG YOUR PALOMA FURNITURE ALONG THE GROUND, AS THIS MAY RESULT IN THE LEGS BREAKING. TO MOVE, USE TWO PEOPLE TO LIFT AND REPOSITION.

Stage 12 - Remaining drawer construction (smallest drawers)

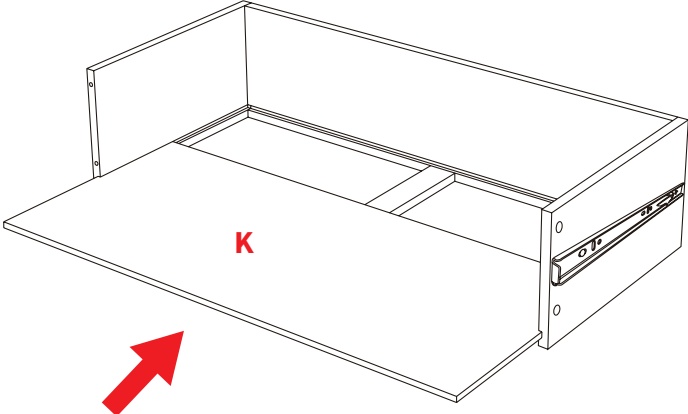
Step 12



Step 12

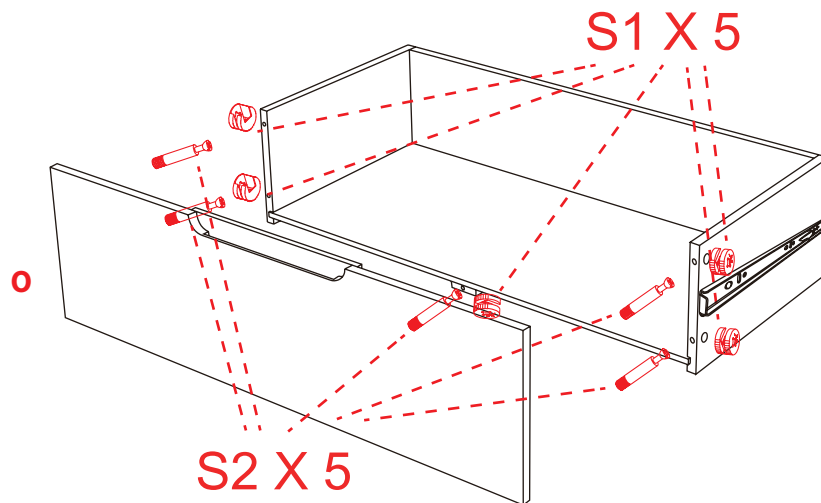


Step 13





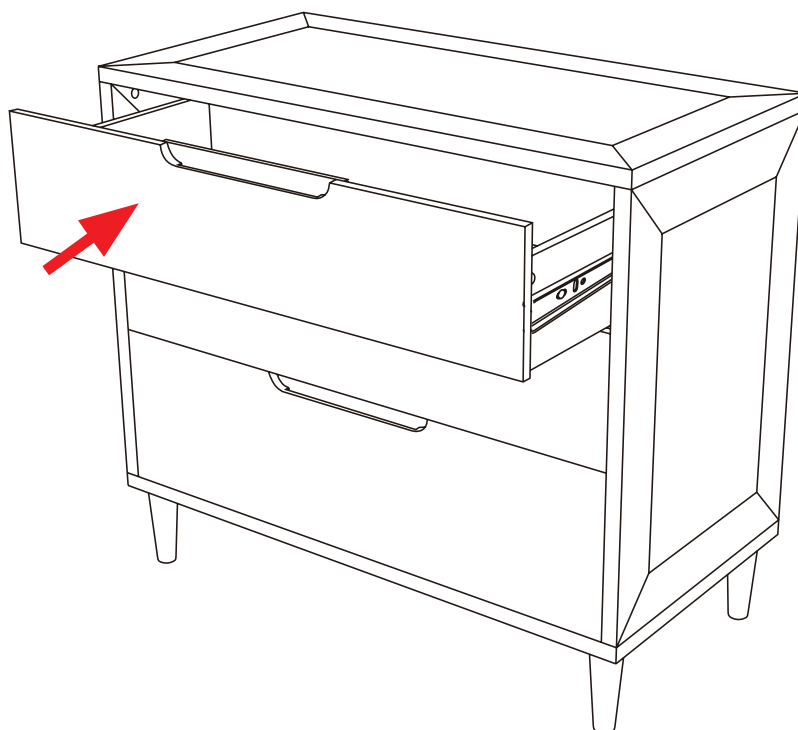
Step 14



x 2
REPEAT STEPS
11-14

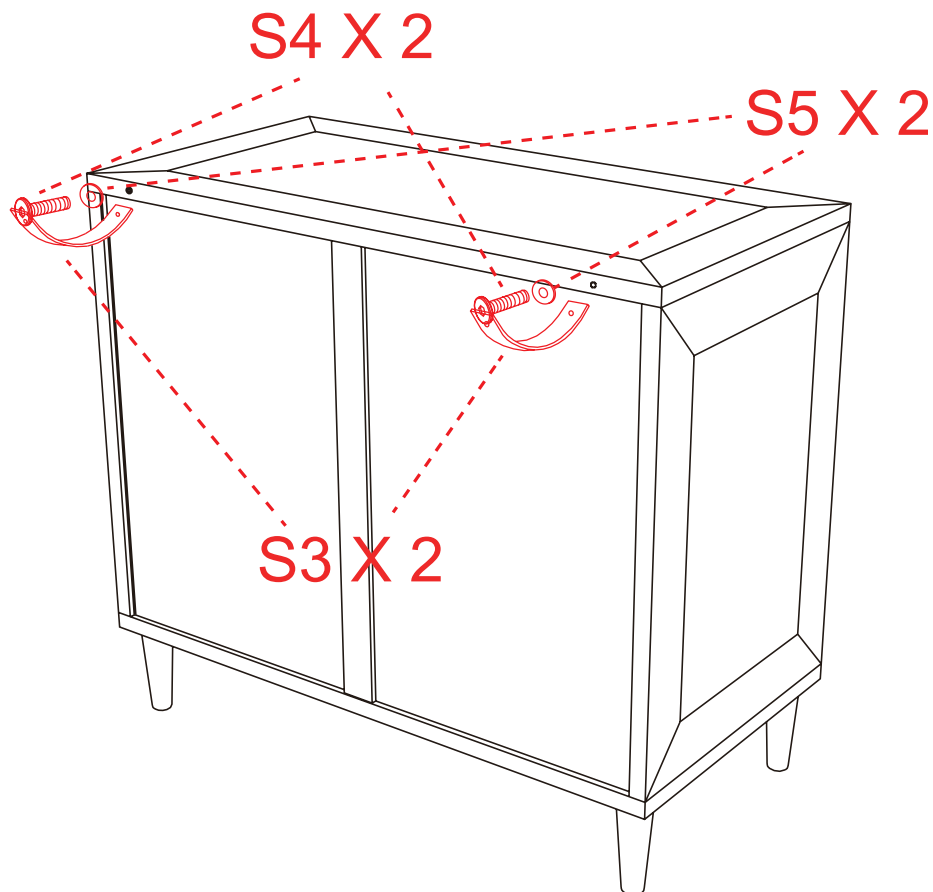


Step 15



Stage 16 - Securing the dresser

Step 16



WARNING:

USE THE ANCHOR STRAPS SUPPLIED WITH THIS PRODUCT TO SECURE IT TO A WALL. FAILURE TO SECURE THE DRESSER TO A WALL USING THE ANCHOR STRAPS PROVIDED CAN RESULT IN A TIPPING HAZARD AND SERIOUS INJURY OR DEATH. ALWAYS FOLLOW USER INSTRUCTIONS PROVIDED.

NOTE: WE HAVE NOT PROVIDED SCREWS TO SECURE THE ANCHOR STRAPS TO A WALL, AS NO SCREWS ARE UNIVERSALLY SUITABLE FOR ALL WALLS. YOU MUST SEEK ADVICE AS TO THE SUITABLE TYPE OF SCREW REQUIRED FOR YOUR INTENDED WALL WITH AN APPROPRIATELY QUALIFIED TRADESPERSON AND PURCHASE THE CORRECT SCREWS IN ACCORDANCE WITH THE ADVICE GIVEN. WE DO NOT TAKE RESPONSIBILITY FOR ANY INCORRECT ADVICE PROVIDED BY A THIRD PARTY, OR ANY DAMAGE OR INJURY INCURRED BY INCORRECT INSTALLATION OR THE INCORRECT ADVICE PROVIDED.



Care and cleaning

Do not scratch or chip the finish. Do not use abrasive chemicals for cleaning. Clean with mild soap on a soft cloth. Rinse and dry thoroughly.

Check metal hardware before assembly and periodically during use for any signs of damage or wear and tear. Contact Redsbaby for replacement parts, do not substitute parts.



WARNING:

DO NOT DRAG YOUR PALOMA FURNITURE ALONG THE GROUND, AS THIS MAY RESULT IN THE LEGS BREAKING. TO MOVE, USE TWO PEOPLE TO LIFT AND REPOSITION.



with you for the journey

redsbaby[®]

'REDSBABY' is a registered Trademark of Redsbaby Pty Ltd.
ABN 31 167 364 178.

©Copyright 2017 Redsbaby